

THC-T310-VF 1 MP EXIR VF Turret Camera



Key Features

- 1 MP high-performance CMOS
- 1280 × 720 resolution
- 2.8 mm to 12 mm vari-focal lens
- Day/Night switch
- EXIR 2.0, smart IR, up to 40 m IR distance
- 4 in 1 video output (switchable TVI/AHD/CVI/CVBS)
- IP66

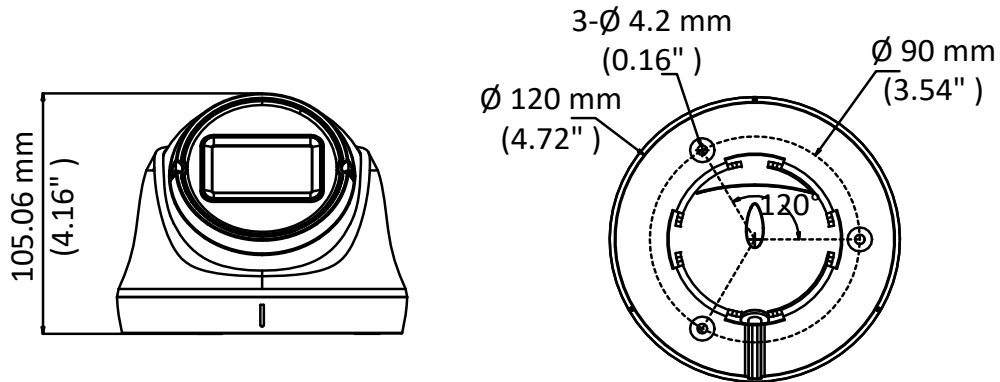
Specifications

| Camera | |
|--------------------------|--|
| Image Sensor | 1 MP CMOS image sensor |
| Signal System | PAL/NTSC |
| Resolution | 1280 (H) × 720 (V) |
| Min. Illumination | 0.01 Lux@(F1.2, AGC ON), 0 Lux with IR |
| Shutter Time | 1/25 (1/30) s to 1/50,000 s |
| Lens | 2.8 mm to 12 mm |
| Horizontal Field of View | 70° to 22.3° |
| Lens Mount | Ø14 |
| Day & Night | IR cut filter |
| Angle Adjustment | Pan: 0° to 360°, Tilt: 0° to 75°, Rotation: 0° to 360° |
| Synchronization | Internal synchronization |
| Video Frame Rate | PAL:720p@25fps NTSC: 720p@30fps |
| Menu | |
| AGC | High/Middle/Low/Off |
| D/N Mode | Smart/Color/BW (Black and White) |
| BLC | Support |
| DWDR | Support |
| Language | English, Chinese |
| Functions | Sharpness, Contrast, Color Gain, DNR |
| Interface | |
| Video Output | 1 HD analog output |
| Switch Button | TVI/AHD/CVI/CVBS |
| General | |
| Operating Conditions | -40 °C to 60 °C (-40 °F to 140 °F), Humidity: 90% or less (non-condensation) |
| Power Supply | 12 VDC ±15% |
| Power Consumption | Max. 4.8 W |
| Protection Level | IP66 |
| Material | Enclosure: Plastic Main Body: Metal |
| IR Range | Up to 40 m |
| Dimensions | Ø 120 mm × 105.06 mm (Ø 4.72" × 4.16") |
| Weight | 450 g (0.99 lb.) |

Order Model

THC-T310-VF

Dimension



Accessories



DS-1273ZJ-130-TRL
Wall Mount



DS-1271ZJ-130-TRL
Pendant Mount



DS-1275ZJ-SUS
Vertical Pole Mount



DS-1276ZJ-SUS
Corner Mount



DS-1280ZJ-TR6
Junction Box



DS-1280ZJ-M
Junction Box



DS-1281ZJ-M
Inclined Ceiling Mount